

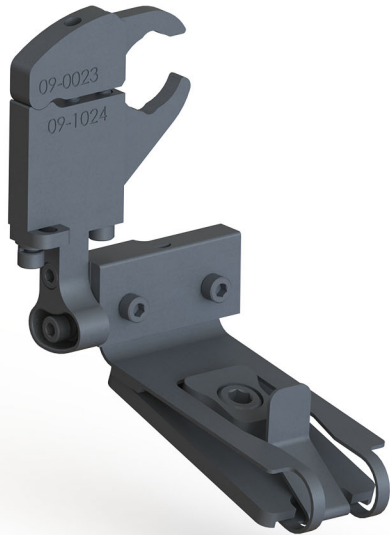


INSTALLATION INSTRUCTIONS FOR RADENSO **MAGNETIC QUICK RELEASE SUCTION CUP MOUNT** RADAR DETECTORS

Your rear view mirror has minimal clearance between the back side of the mirror and the mirror stem. It is very important that this mount is installed correctly to ensure mirror adjustability is retained.

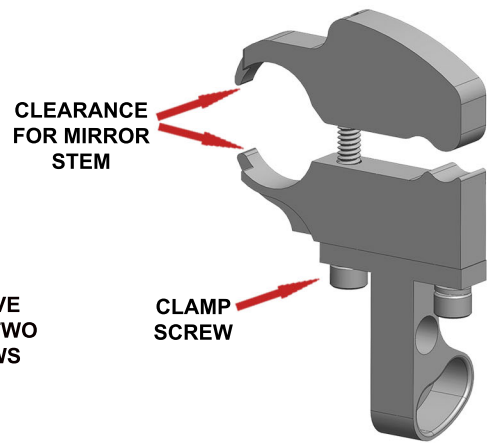
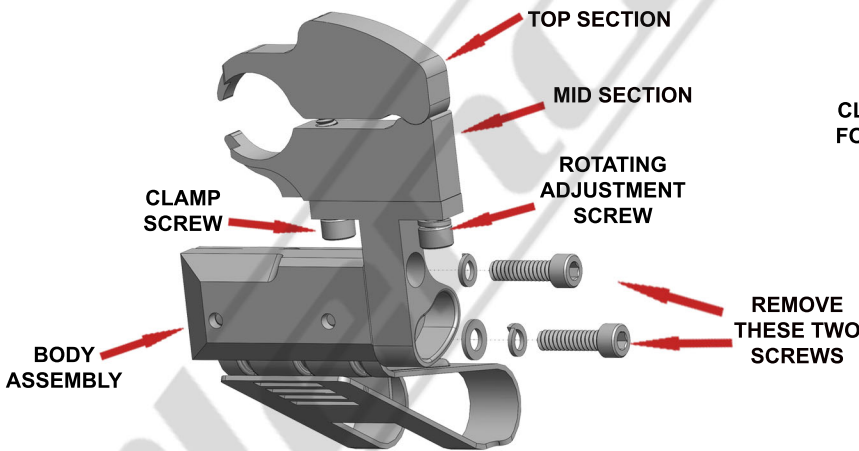
PLEASE READ THESE INSTRUCTIONS THOROUGHLY AND INSTALL THIS MOUNT FROM THE PASSENGER SIDE OF THE VEHICLE.

NOTE: For illustration purposes, the radar detector, mount, and rear view mirror shown in these instructions may look slightly different than YOUR radar, mount, and rear view mirror.



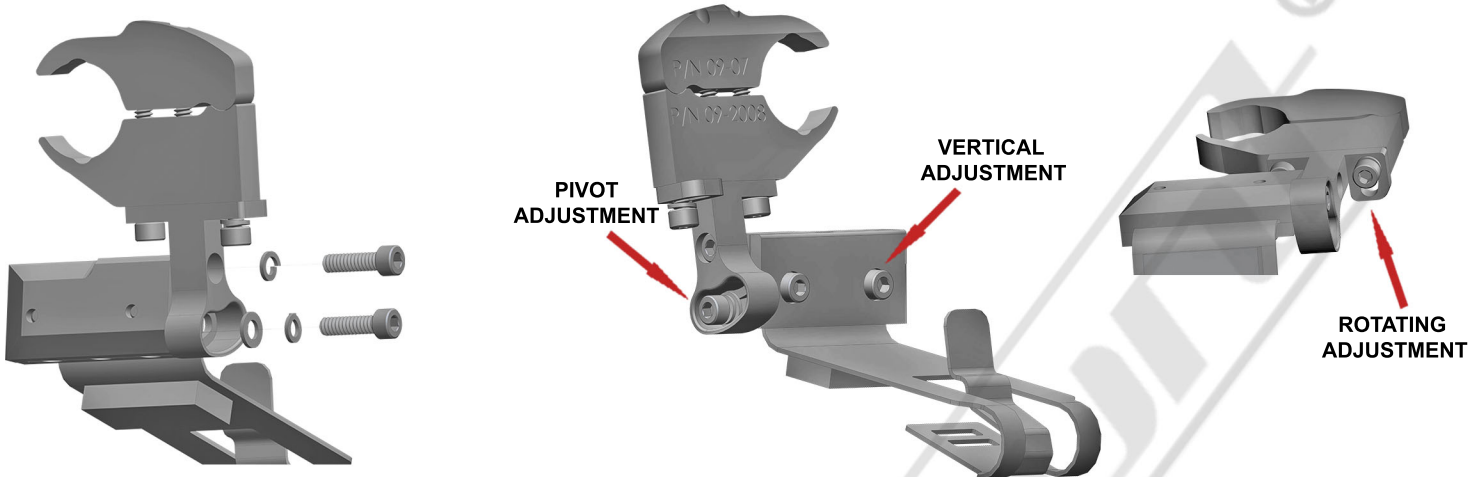
1 - Remove the socket head bolt and the existing mount from the radar. Install the spring clip adapter plate with the supplied hex key, bolt, and O-ring as shown above.

2 - Install and remove your radar detector (RD) onto the mount before installing it on the rear view mirror so you can observe how the spring clip functions. To release tension from the spring clip, simply squeeze the release tab and the back side of the mount together as shown above. This will lower the bottom portion of the spring clip allowing you to slide the RD on and off the mount. To install the RD, squeeze the release tab and slide the clip into the RD as far as it will go. **When used properly, the spring clip avoids putting excessive pressure on the mirror stem when installing and removing the RD.**



3 - The BODY ASSEMBLY must be removed to gain access to the CLAMP SCREW. Remove the two socket head screws as shown above. Be sure to remove the lock washer with the top screw along with the lock washer and flat washer with the bottom screw. Loosen the CLAMP SCREW so there is enough clearance between the TOP and MID SECTIONS to slide over the mirror stem. **YOU MAY ADJUST THE MIRROR PARALELL TO THE WINDSHIELD AND SLIGHTLY UPWARD FOR EASE OF INSTALLATION.**

4 - BEFORE FULLY TIGHTENING THE CLAMP SCREW, POSITION THE MOUNT AS FAR FORWARD TOWARDS THE WINDSHIELD AS YOU CAN. MAKE SURE THE TOP AND MID SECTIONS ARE TOUCHING AT THE PIVOT POINT. If you can not get them to touch at the pivot point, you have an incompatible mirror type for this mount.



5 - Reinstall the BODY ASSEMBLY.
Install RD onto the mount.

6 - Use adjustments shown to install RD to your desired position. We recommend adjusting RD as close to bottom of mirror as possible. Be sure to tighten vertical and pivot adjustment screws after adjustments are made. For Pivot adjustment, grab long arm of allen wrench for maximum leverage. You will not strip the threaded holes in the aircraft grade aluminum.



7 - If the RD is too close to the bottom of the mirror, You may access the buttons on top of the RD by gently pushing downward on the front of the RD with one finger and push the desired button with another finger. Then allow the RD to return to it's original position by gently letting it spring upward. When accessing the buttons, be sure to push the RD downward just enough for your finger to fit between the RD and mirror. **Do not push down more than what is needed.**



**SCAN THE QR CODE WITH
YOUR SMART PHONE TO
VIEW INSTALL VIDEOS**

NOTE : This mount can get extremely hot when sitting in direct sunlight. If you intend to remove your RD frequently, you may want to install the two gray "TOUCH STRIPS" included in the tool kit. Place them where your fingers make contact with the mount. They may be trimmed with a blade or knife.

CAUTION

DO NOT use this mount if it interferes with the adjustability or the operation of your rear view mirror in any way.
DO NOT use this mount if the radar detector creates an unsafe viewing obstruction.
DO NOT ATTEMPT TO MODIFY THIS PRODUCT. Consult the manufacturer for assistance.

All BlendMount products are accompanied with detailed installation instructions and adjustment tips. You are encouraged to contact customerservice@blendmount.com or call J28 Design at 1-888-497-8388 for further assistance.

Check the BlendMount Forum for installation tips and some vehicle specific installs.
www.blendmount.com

Your feedback is very important to us. Please email any questions or comments you have to customerservice@blendmount.com

